

GREENLIGHT CONTROLLER GLC200 VER.2 SERIES

The GLC100 controller is intended to manage two light sources (light sockets) operating within outdoor lighting (i.e. street, car park or park lighting) control systems. The controller utilizes LonWorks communication standard over power lines (PowerLine communication) helping significantly reduce installation costs.

The controller enables full control of two light sources – managing light intensity, power usage metering, diagnosing and reporting occurrences and malfunctions. This in turn enables implementation of algorithms to significantly reduce power usage (cost and CO2 emission reduction) and reduce servicing costs. Using one controller to control two luminaires significantly reduces installation costs.

The controller utilizes advanced network information flow control technology (routing) – this means that each device can work as a repeater – which enables constructing of wide area control networks (up to 4km range in standard power grid). Additionally communication is configured dynamically, adopting to the network parameters changes.

Different controller models enable implementation in various applications – together with electronic ballast working in 1-10V and Dali standards and LED light sources.

The controller features a powerful measurement module (energy and power active and reactive, power factor, THD) for managing the power grid.

LonWorks standard communication and LonMark compatibility give full flexibility in constructing networks and possibility of using components from various providers – both, for the low level devices and even SCADA supervising and control systems. It also enables an easy integration with currently implemented



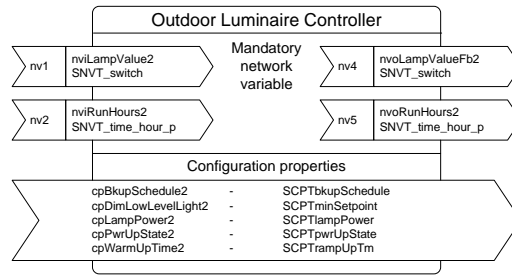
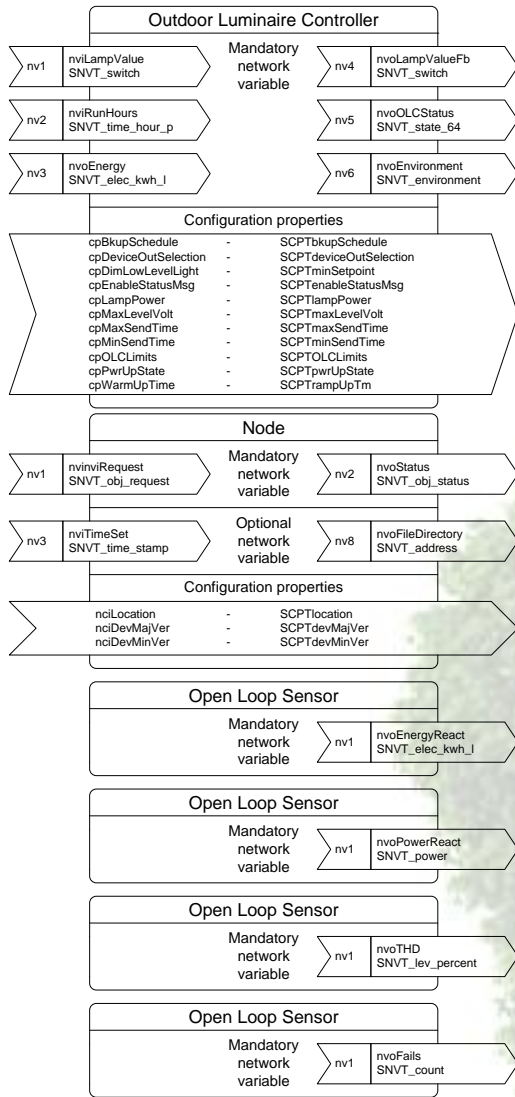
systems.

APANET offers dedicated supervising and control system characterized by a unique scalability attribute relating to software and hardware, from the street level to entire city.

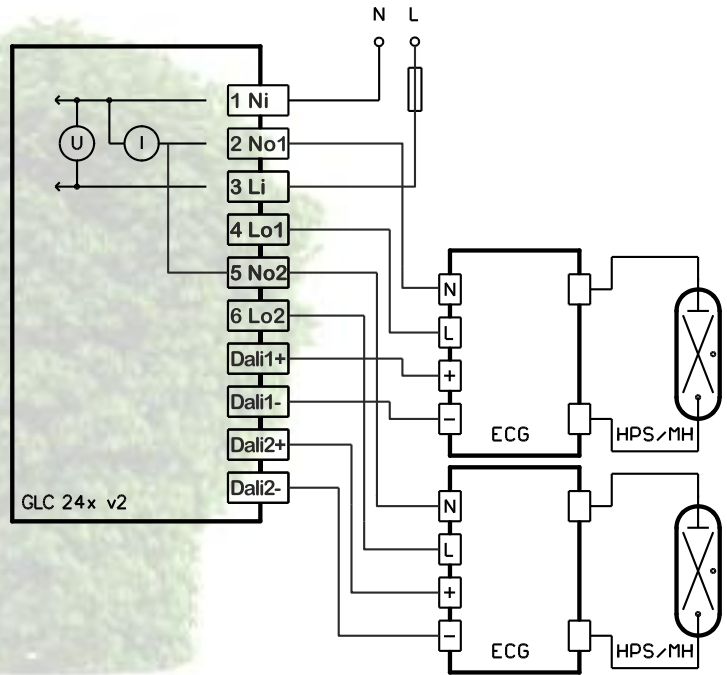
Main advantages:

- ✓ Works with electronic ballasts and supplies.
- ✓ Works with different light sources (HPS, MH, LED)
- ✓ Gradual (0-100%) light dimming.
- ✓ Ability to control two light sources independently.
- ✓ Ability to monitor power consumption in each controller.
- ✓ Powerful measurement module (energy and power active and reactive, power factor, THD).
- ✓ Monitoring lamp status (malfunction detection and reporting) – lower servicing cost.
- ✓ Flexible and decentralized network structure – better functionality and reliability.
- ✓ Advanced routing algorithms – wide network range.
- ✓ Low installation costs – communication using 230VAC electrical network.
- ✓ Installation in a lamp socket or a lamp post.
- ✓ Over the network software upgrade.
- ✓ LonWorks compatibility.
- ✓ LonMark compatibility.

LonMark object:



Connections diagram:



Properties:

- Supply: **230VAC**
- Max load: **400Watt**
- Housing: **IP67**
- Protocol: **CENELEC C EN50065-1**
- **CE** (EN61547, EN55022)
- Connection: **2.5mm² terminals**
- Dimensions: **125x65x43 (155x65x43)**
- Weight: **600g**
- Temperature: **-40°C ÷ 80°C**

Ordering information:

GLC 1 X Y

Dimming output:

- 0: None (ON/OFF)
- 2: 1-10V interface
- 4: DALI interface

Power consumption metering:

- 0: None (working time register)
- 1: Active power meter
- 2: Active and reactive energy and power, power factor, THD